

Date tehnice pentru produs: MGF37000--

# Analizor de retea MF7 72x72mm



## Fișe tehnice

|                                 |   |
|---------------------------------|---|
| Tip                             | panou frontal   |
| Mărime                          | 96x96mm   |
| <b>Afișaj</b>                   |   |
| Display values                  | Current-conductor and neutral current<br>Display voltage phase-phase and phase-N<br>Average current<br>Maximum value of the average current<br>Frequency<br>Operating hours (hours and minutes) |
| Afișaj                          | LCD with backlight  |
| Display indication              | 4 lines / 4 digits  |
| <b>Accuracy</b>                 |   |
| Voltage (tolerance)             | ± 0,5% (80...450 V phase - phase)   |
| Current (tolerance)             | ± 0.5% (10...120% I <sub>n</sub> )  |
| Neutral current (tolerance) (%) | ± 2%  |
| Frequency (tolerance)           | ± 0.2 Hz  |
| <b>Average current</b>          |   |
| Indication in display           | Average current and its maximum value   |
| Integration time                | adjustable 5/8/10/15/20/30/60 minutes   |
| Calculation                     | Average value for current and active power over the set time period   |

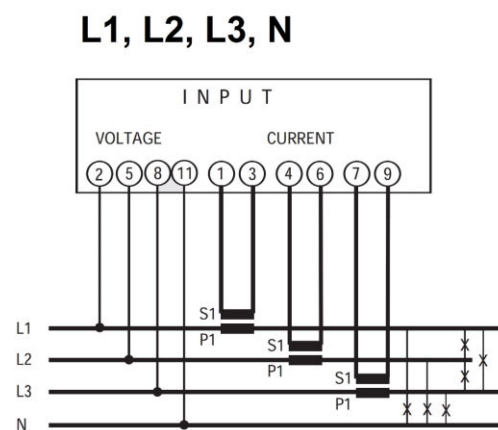
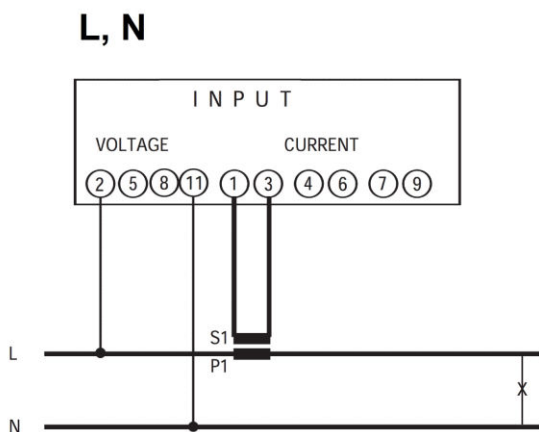
## Fișe tehnice - Continuare

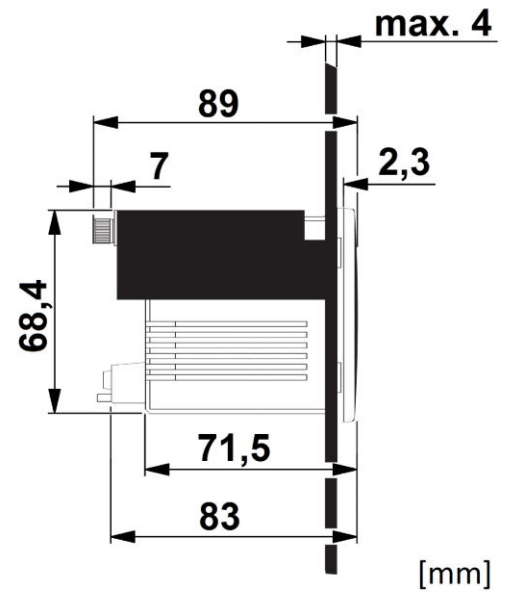
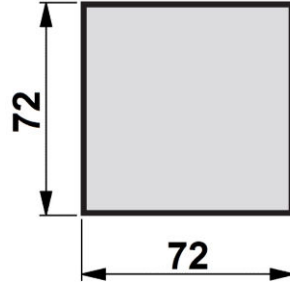
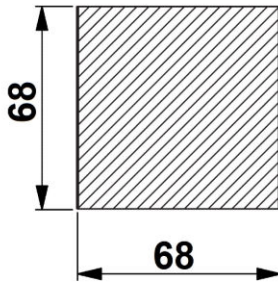
|   |   |
|---|---|
| Reset   | manually via keys   |
| <b>Programming</b>                              |   |
| Buton   | via 2 keys  |
| Programming access                              | Key combination   |
| Data storage                                    | into non-volatile memory (without battery)  |
| <b>Programmable parameters</b>                  |   |
| Tip rețea                                       | Alternating current network - three-phase network (4-wire)  |
| Primary currents (A)                            | 5, 10, 15, 20, 25, 30, 40, 50, 60, 70, 75, 80, 100, 120, 125, 150, 160, 200, 250, 300, 400, 500, 600, 700, 750, 800, 1000, 1200, 1250, 1500, 1600, 2000, 2500, 3000, 3200, 4000, 5000, 6000, 7000, 7500, 8000 A |
| Current average                                 | Integration time, reset of the maximum value  |
| Operating hours counter                         | Reset   |
| <b>Input</b>                                    |   |
| Mains type                                      | Alternating current network and 4-wire three-phase network  |
| Voltage (three-phase network)                   | 340...450 V (phase-phase)   |
| Voltage (alternating current network)           | 195...260 V   |
| Nominal current (input)                         | In 5A oder 1 A  |
| Overload (continuous)                           | 1.2 In  |
| Overload (short-time)                           | 20 In / 0.5 seconds   |
| Tip conexiune                                   | a common point<br>only in connection with external current transformers which have inputs   |
| Rated frequency (Hz)                            | 50  |
| Working frequency (Hz)                          | 47...63   |
| Measuring method                                | True RMS conversion   |
| Harmonic content                                | up to the 16th harmonic   |
| Self-consumption (voltage path)                 | ≤ 1VA (per phase)   |
| Self-consumption (current path)                 | ≤ 0.5VA (per phase)   |
| <b>Auxiliary voltage</b>                        |   |
| Supply  | from measuring circuit (self-supplying)   |
| Isolation                                       | Insulation according to EN 60439-1  |
| Installation category                           | III   |
| Grad de poluare                                 | 2   |
| Insulation voltage                              | 660 V   |
| Isolation test voltage                          | 4 kV R.M.S. 50 Hz/1 min   |
| Test circuit                                    | all circuits and ground   |
| <b>Electromagnetic compatibility</b>            |   |
| Emission test                                   | according to EN 61000-6-3   |
| Immunity test                                   | according to EN 61000-6-2   |
| <b>Working conditions</b>                       |   |
| Reference temperature (°C)                      | 23 ± 2  |
| Temperatură de funcționare                      | -5°C to +55°C   |
| Gama de temperatură - Transport/Depozitare (°C) | -25 to +70  |

## Fișe tehnice - Continuare

|                            |   |
|----------------------------|---|
| Temperature influence (°C) | ≤ 0,1% / °C   |
| Umiditate relativă (%)     | 0 ... 95%   |
| disipare (W)               | 5,50  |
| <b>Carcasă</b>             |   |
| Housing type               | for panel mounting (panel cut-out 68 x 68 mm)   |
| Front frame (mm)           | 72 x 72mm   |
| Adâncime (mm)              | 75  |
| Connection (current)       | Wire (flexible) min. 0,05 mm <sup>2</sup> / max. 2,5mm <sup>2</sup><br>Wire (fixed) min. 0,05 mm <sup>2</sup> / max. 4mm <sup>2</sup> |
| Connection (voltage)       | Wire (fixed) min. 0.05 mm <sup>2</sup> / max. 4mm <sup>2</sup><br>Wire (flexible) min. 0.05 mm <sup>2</sup> / max. 2.5mm <sup>2</sup> |
| Housing material           | Makrolon, self-extinguishing  |
| Grad de protecție          | IP54 (front), IP20 (connections)  |

## MGF37000 Schaltbild



**MGF37000 Maßskizze**

Descriere

Analizor de retea MF7 72x72mm

Cod comandă

MGF37000